

Fischer MiniMax 介绍

Connect² Innovation



Connect² Innovation



1. *Save money*

2. *Save space*

3. *Save weight*

4. *Reliable connectors*

5. *Expertise in
sealing performance*

6. *Complete solution*

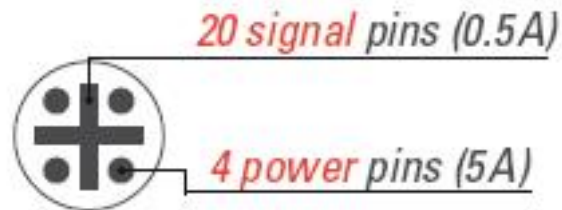




1. Save money

Pack more functionality into smaller devices

- Unique combination of 24 mixed contacts



METALLIZED PLASTIC CONTACTS

- Transfer plastic metallization automotive technology to connectors
- **Unique** concept & design in circular connectors industry
- **FIRST** time qualified for use in mating cycle



Unique all-in-one design



20 SIGNAL
4 POWER

Patents pending
combination
of 24 mixed
contacts



Connect² Innovation



2. Save space

Save more than 40% space and solve device miniaturization challenges

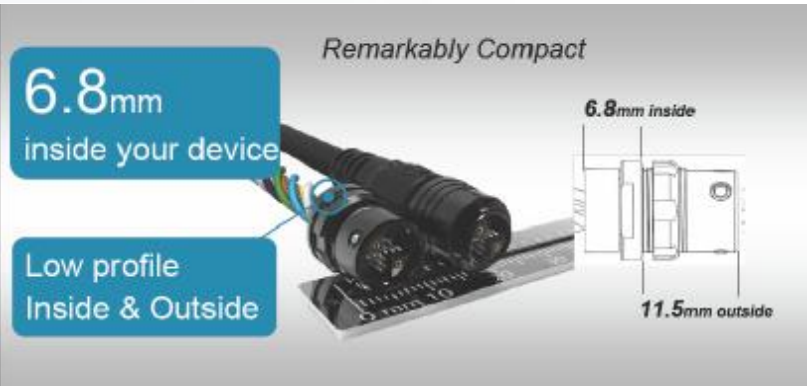
- Ultra-compact mated interconnect solution



Fischer MiniMax™ Series



Fischer Core Series





3. Save weight

Save more than 75% in weight and improve portability of your hand-held and body-worn devices

- Innovative technology and miniature design

4 Nm torque
resistance



Small, but robust



UNbreakable
by hand





4. Reliable connections

Highly reliable connections for your ruggedized devices

- Ergonomic design and ideal compactness: easy to handle even with gloves
- Durability more than 500 mating cycles
- Mechanical and visual coding: improve end-user safety
- Salt water spray corrosion resistance: 1,000 hours



Permanently exposable to sea water



1000 hours
salt spray
resistance

Designed for
For sea water
environment





5. Expertise in sealing performance

Perfectly adapted for your underwater applications

- Water proof down to 120 m: safe for full 24-hour submersion
- Sealing even unmated: reliable even in case of accidental disconnection





6. Complete solution

Save time & money

- Pre-cabled plug and pre-wired receptacle termination: fast and easy connector integration
- Straight ergonomic overmolding: durable and reliable solution
- Soft sealing caps: protect your connectors in the field

40 kg cable
resistance

Kevlar inside
Industrial potting
process

Overmoulded pre-cabled solution



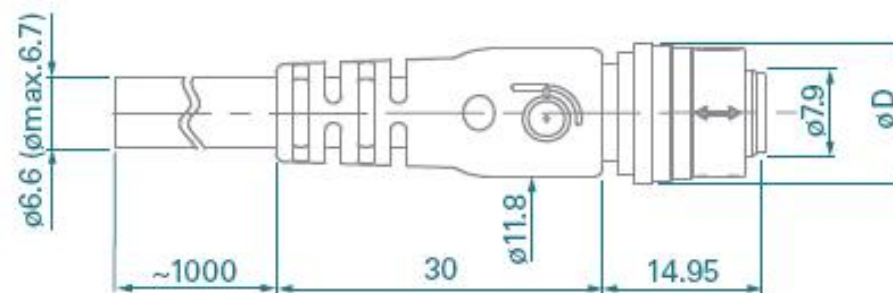
Connect² Innovation



Straight overmolding termination - Push-pull & Quick release versions

Scale: 1:1

10 mm



Version	ϕD
Push-pull	12.9
Quick release	12.9
Screw-lock	12.0



Connect² Innovation

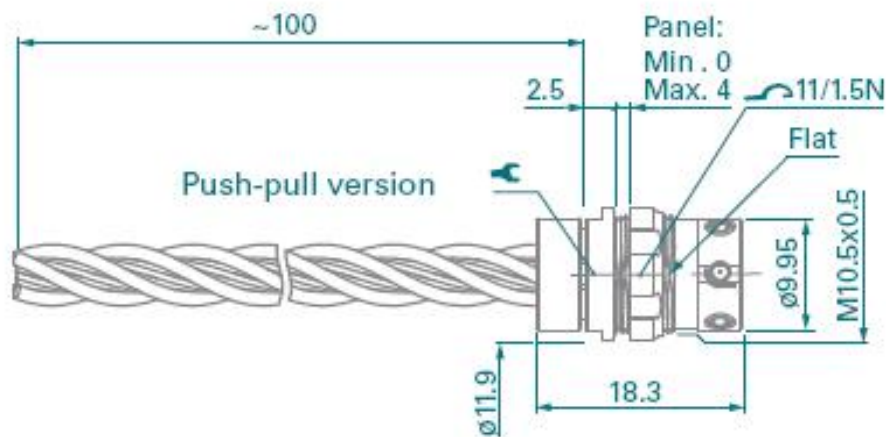


Leadwire termination - Push-pull and screw-lock versions

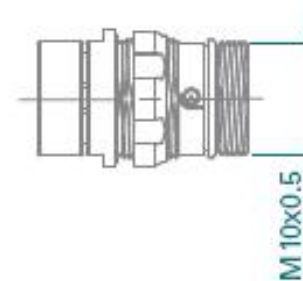
Scale: 1:1



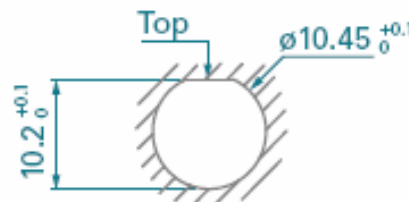
Fischer factory termination: discrete leadwire
Tool: TC00.007 - Rev.3



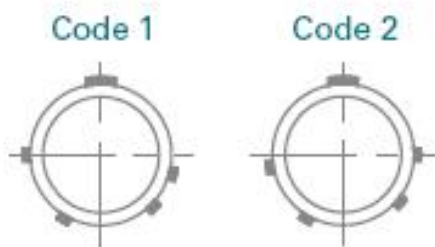
Screw-lock



Panel cut-out



Mechanical coding



Additional codes available on request.

Visual coding

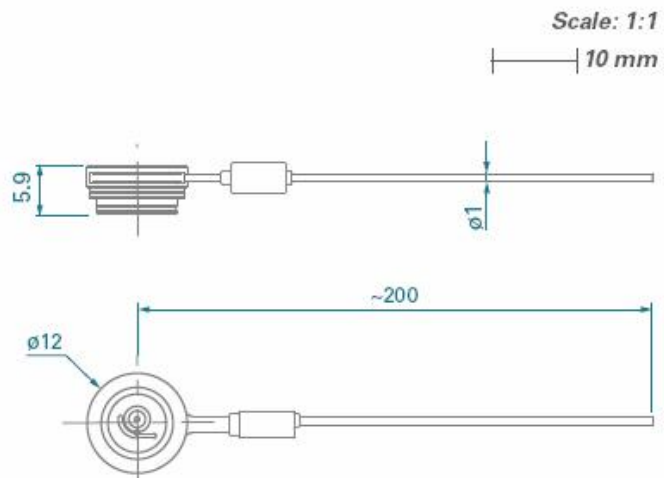


Connect² Innovation

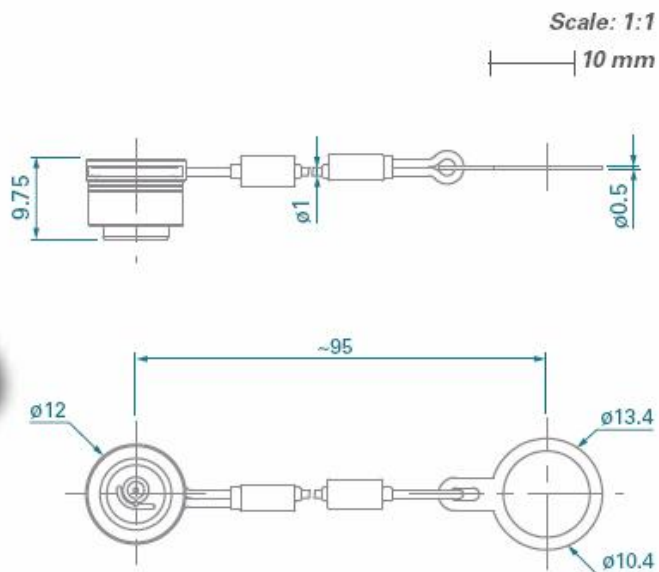



Crimp ferrule and heat shrink tube are included.

Part number:



Part number:
MCR08P 1B2 A095



Size	Pin Layout	Number of Contacts		Wire Size (solder) ¹⁾	Current Rating [A]	Rated Voltage r.m.s. [V]	Test Voltage in mated position [kV]			
					IEC 60512-5-2-5b	IEC 60664-1	IEC 60512-4-1 Test 4a			
					2)	3)	AC r.m.s.		DC	
							Contact to Body	Contact to Contact	Contact to Body	Contact to Contact
08		24	20	AWG30 [14/41]	0.5	≤250	1.3	0.9	1.6	1.2
			4	AWG22 [19/34]	5.0	≤250	1.8	2.2	2.6	3.8

Electrical Data

Characteristic	Contact Size	Performance and Standard	
Contact Resistance	4x Power Contacts 20x Signal Contacts	5 mΩ ¹⁾ 250 mΩ	IEC 60512-2-1-2a IEC 60512-2-2-2b
Shell Resistance ³⁾		<50 mΩ; IEC 60512-2-6-2f ¹⁾	
Insulation Resistance		<10 ¹⁰ Ω; IEC 60512-3-1-3a ¹⁾	
Shielding Effectiveness ⁴⁾		> 55 dB ¹⁾	up to 1 GHz, IEC 60512-23-3



Environmental & Mechanical Data

Characteristic	Performance and Standard
Sealing Performance Mated and Unmated	IP68 IEC 60529 120m submersion for 24 hours; 12 bar pressure differential
Operating Temperature Range	-40°C to +85°C IEC 60512-6-11 i+j; IEC 60068-2-14-Nb
Corrosion Resistance Mated	Salt mist, 1,000 hours, 5% salt solution, 35°C ¹⁾ IEC 60068-2-11 Test Ka; MIL-STD-202 Method 101 Condition A; EIA-364-26
Endurance	500 mating cycles; IEC 60512-5-9a ; EIA-364-09



Material & Surface Treatments

Metal Parts		Material		Finish		
		Designation	ISO	Standard	Designation	Standard
Housings, Nut		Brass CuZn39Pb3		CW614N UNS C 38500	Chrome over Nickel	SAE-AMS2460
Back Nut (Plug)		Brass CuZn39Pb3		CW614N UNS C 38500	Nickel	SAE-AMS-QQ-N-290 SAE-AMS2404
Ground Contact		Brass CuZn39Pb3		CW614N UNS C 38500	Nickel	SAE-AMS-QQ-N-290 SAE-AMS2404
Spring		Stainless Steel		X10CrNi18-8 (1.4310)	-	-
Contacts	- Male, Ground Pin	Brass; CuZn39Pb3		CW614N; UNS C 38500	Gold over Nickel	MIL-DTL-45204D Type I; ASTM B488 MIL-DTL-45204D Type I; ASTM B488 -
	- Female	Bronze; CuSn4Zn4Pb4		CW456K; ASTM B139 UNS C 54400		
	- Signal	Copper; -		-		
Ball-locking		Stainless steel X20Cr13 1.4021		UNS S42000 ASTM A182	-	-



Connect² Innovation



Insulator and Sealing		International Symbol	Flammability
Insulators		LCP PEEK	UL 94 V-0 UL 94 V-0
O-rings	- General - Interface	FPM (Viton®) EPDM	UL 94 V-0 UL 94 HB
Sealant Materials	- Cable connectors - Panel receptacles	Bi-component epoxy	-
Overmolding Material	- Cable connectors	TPU	UL 94 V-0
Cap	- Cable connectors - Panel receptacles	TPV (Santoprene)	UL 94 HB

